

Interface

Model 1216 Axial Torsion Cells

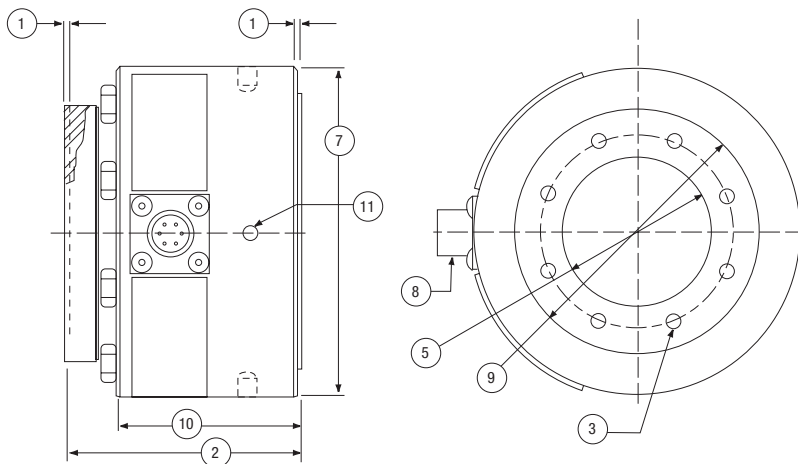
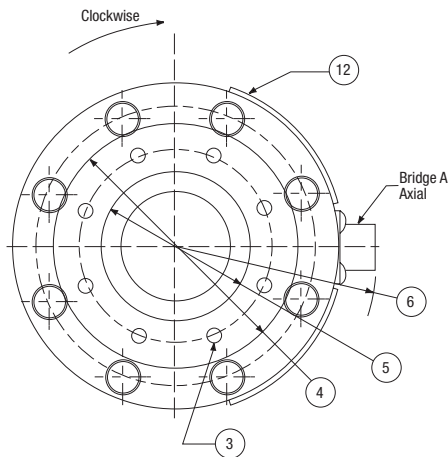
Why Interface Axial Torsion load cells are the best in class:

- Minimal Crosstalk
- Extraneous load resistance
- Fatigue rated



OPTIONS*

- Integral cable
- Compression overload protection
- Connector protectors



SPECIFICATIONS

ACCURACY – (MAX ERROR)	Axial Bridge A	Torsion Bridge B
Nonlinearity-% FS	± 0.04	± 0.07
Hysteresis-% FS	± 0.04	± 0.05
Nonrepeatability-% RO	± 0.02	± 0.05
Creep, in 20 min.-%	± 0.025	± 0.025

TEMPERATURE

Compensated Range-°F	15 to 115	15 to 115
Compensated Range-°C	-10 to 45	-10 to 45
Operating Range-°F	-65 to 200	-65 to 200
Operating Range-°C	-55 to 90	-55 to 90
Effect on Output-%/100°F – MAX	± 0.08	± 0.08
Effect on Zero-% RO/100°F – MAX	± 0.08	± 0.08

ELECTRICAL

Rated Output-mV/V (Nominal)	1.50	1.90
Zero Balance-% RO	± 1.0	± 1.0
Input Resistance-Ohms	350±5	700±7
Output Resistance-Ohms	350±3.5	700±7
Excitation Voltage – MAX	20 VDC	20 VDC

MECHANICAL

Calibration	T&C	CW & CCW
Safe Overload-% CAP	± 200	± 200
Ultimate Overload-% CAP	± 400	± 400

DIMENSIONS

See Drawing	MODEL 1216	
	CAPACITY (lbf)/(inch-lb) 500/250, 1K/500, 2K/1000	
	inch	mm
①	0.0060	1.52
②	3.00	76.2
③	0.250-28 x 0.43 deep on a 2.600 B.C.	
④	3.20	81.28
⑤	2.000 + 0.002 / -0.000	
⑥	2.52	64.0
⑦	4.13	104.3
⑧	PT02E-10-6P	
⑨	3.200	81.28
⑩	2.34	59.4
⑪	Label	